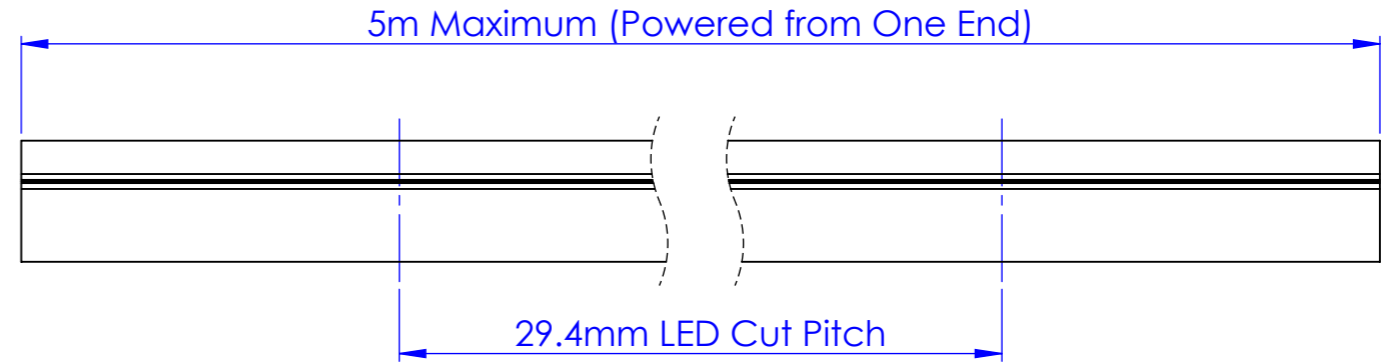
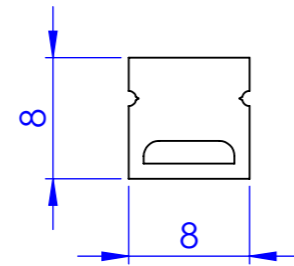
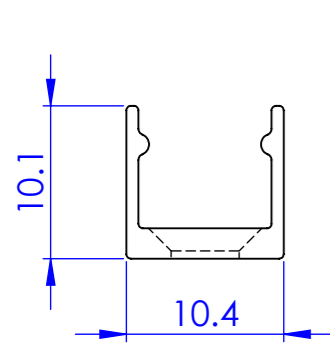


### Dimensions

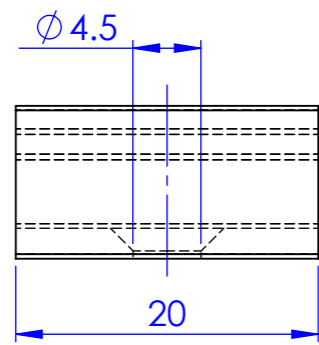
Available Colour Temperatures:  
2200K, 2700K, 3000K, 4000K, 6500K



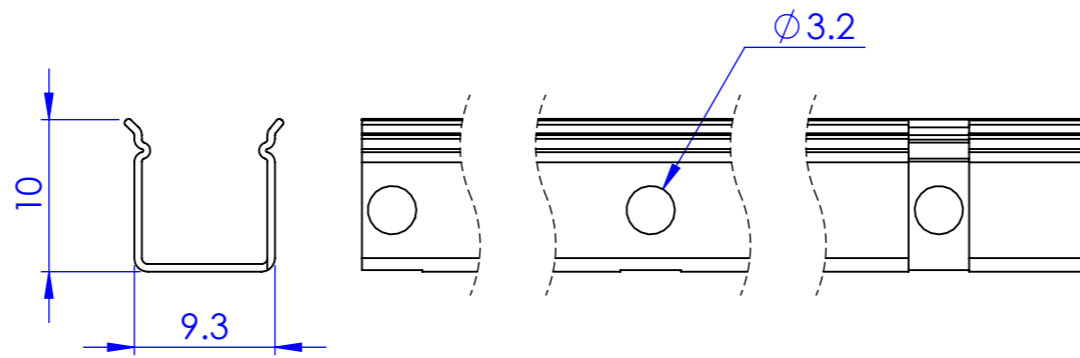
### Compatible Accessories



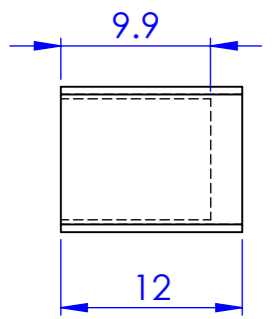
**Bracket UA49214**



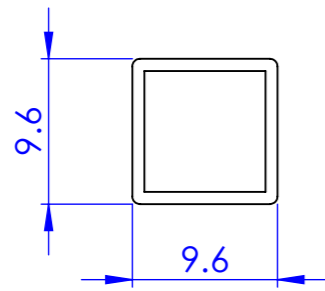
**Bendable Housing UA49215**



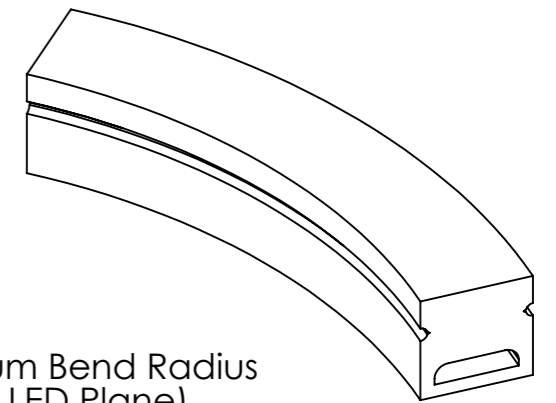
**Input Cap UA49217**



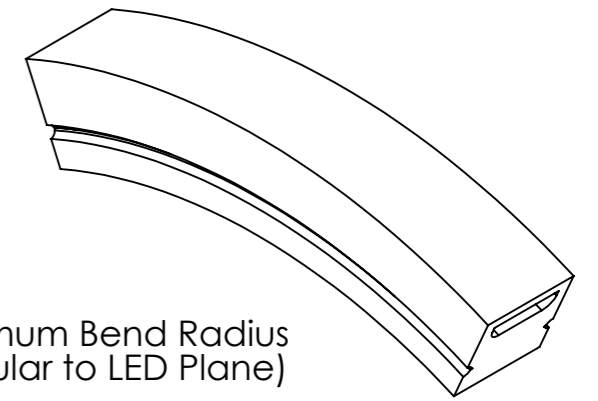
**End Cap UA49216**



### Bend Radii



**150mm** Minimum Bend Radius  
(Parallel to LED Plane)



**75mm** Minimum Bend Radius  
(Perpendicular to LED Plane)

ANY QUERIES OR IF IN DOUBT PLEASE CONTACT THE DESIGNER

**unibox**

Greengate Industrial Estate, Greenside Way, Middleton,  
Manchester, M24 1SW, UK W: www.unibox.co.uk  
info@unibox.co.uk  
Tel: 0845 277 6000 Fax: 0845 277 6001

Copyright © 2022. This drawing and all copies and derivative works are the exclusive property of United Aluminium Limited. This drawing must not be copied or disclosed in any manner to any third party without the prior written consent of a director of United Aluminium Limited. All rights reserved.

DRAWING TITLE:  
**U-NEON-0808-3D**

MATERIAL:  
VARIOUS

FINISH:  
-

DRAWN BY:  
JHD

CREATED DATE:  
26/09/2024

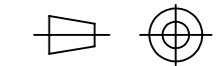
PART No:  
**UA49127**

REVISION:  
**A**

CHECKED BEFORE PUBLISHING BY:  
CC

DRAWING No:  
**UA49127**

SHEET No:  
1 of 1



TOLERANCES:  
DIMENSIONS IN MM  
UNLESS OTHERWISE STATED

DIMENSIONS +/- 0.5mm  
ANGLE +/- 0.5°

SHEET SIZE: A3  
SCALE: 2:1

CUSTOMER: **ENTER CUSTOMER**  
JOB REFERENCE: **ENTER CRM#**  
QTY: **ENTER QUANTITY**

FINAL INSPECTION  
(PRIOR TO DESPATCH)  
DATE: \_\_\_\_\_ SIGNED: \_\_\_\_\_

REQUIRED DATE: **ENTER DATE**  
DELIVERY METHOD: **ENTER METHOD**

FABRIC INCLUDED?  
YES: \_\_\_\_\_ NO: \_\_\_\_\_  
*TEST FABRIC BEFORE PACKING*