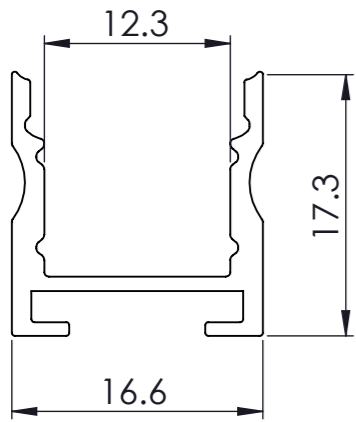
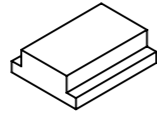


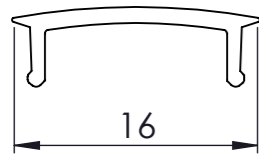
AURIGA 1718 C
UA38866



ACCESSORIES:
MOUNTING MAGNET
UA42407-MAGNET



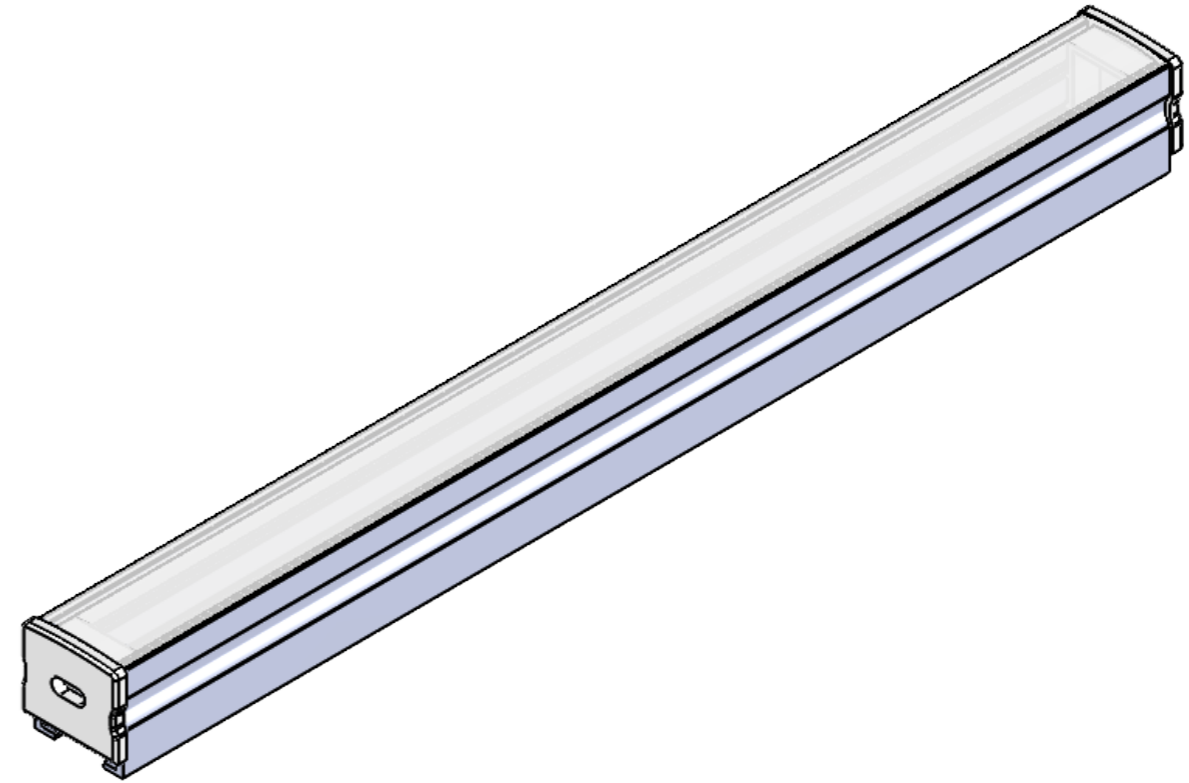
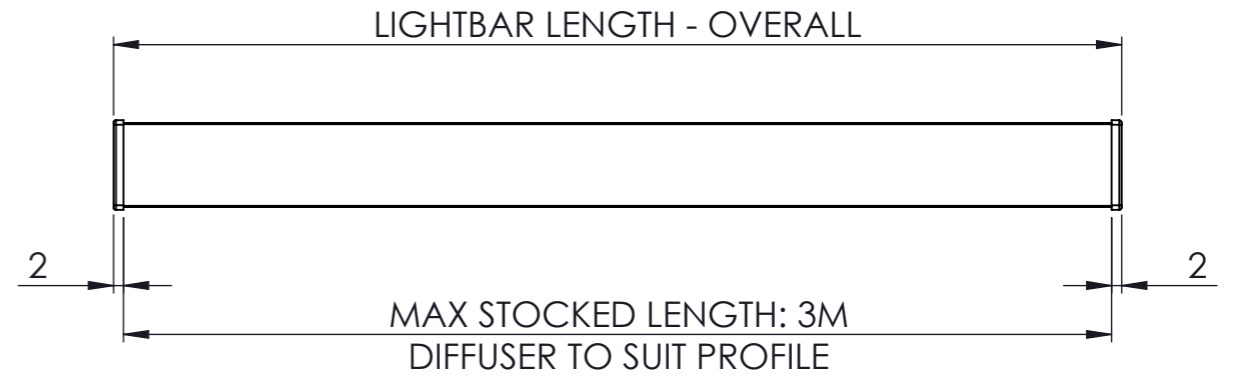
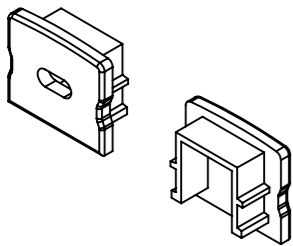
DIFFUSER - TYPE A
UA42346-DIFFUSER



AVAILABLE FINISH:

- FROSTED
- CLEAR

END CAPS
UA38866-ENDCAPSET



ANY QUERIES OR IF IN DOUBT PLEASE CONTACT THE DESIGNER

unibox

Greengate Industrial Estate, Greenside Way, Middleton,
Manchester, M24 1SW, UK W: www.unibox.co.uk
info@unibox.co.uk
Tel: 0845 277 6000 Fax: 0845 277 6001

Copyright © 2022. This drawing and all copies and derivative works are the exclusive property of United Aluminium Limited. This drawing must not be copied or disclosed in any manner to any third party without the prior written consent of a director of United Aluminium Limited. All rights reserved.

DRAWING TITLE:
AURIGA 1718 C

MATERIAL:
SEE BOM

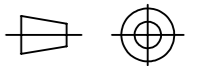
DRAWN BY:
ET
CHECKED BEFORE PUBLISHING BY:-
MB

CREATED DATE:
28/07/2022

FINISH:
SEE BOM

PART No:
UA42401-01
DRAWING No:
UA42401

REVISION:
A
SHEET No:
2 of 12



TOLERANCES:
DIMENSIONS IN MM
UNLESS OTHERWISE STATED

DIMENSIONS +/- 0.5mm
ANGLE +/- 0.5°

SHEET SIZE: A3
SCALE: 1:1

CUSTOMER: **ENTER CUSTOMER**
JOB REFERENCE: **ENTER CRM#**
QTY: **ENTER QUANTITY**

REQUIRED DATE: **ENTER DATE**
DELIVERY METHOD: **ENTER METHOD**

FINAL INSPECTION
(PRIOR TO DESPATCH)
DATE: _____ SIGNED: _____

FABRIC INCLUDED?
YES: _____ NO: _____
TEST FABRIC BEFORE PACKING